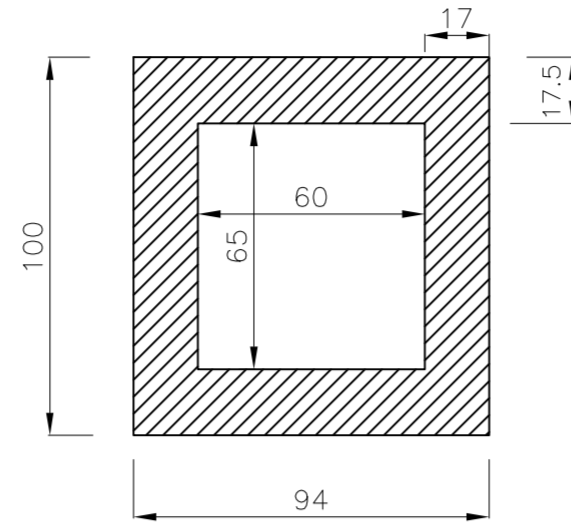
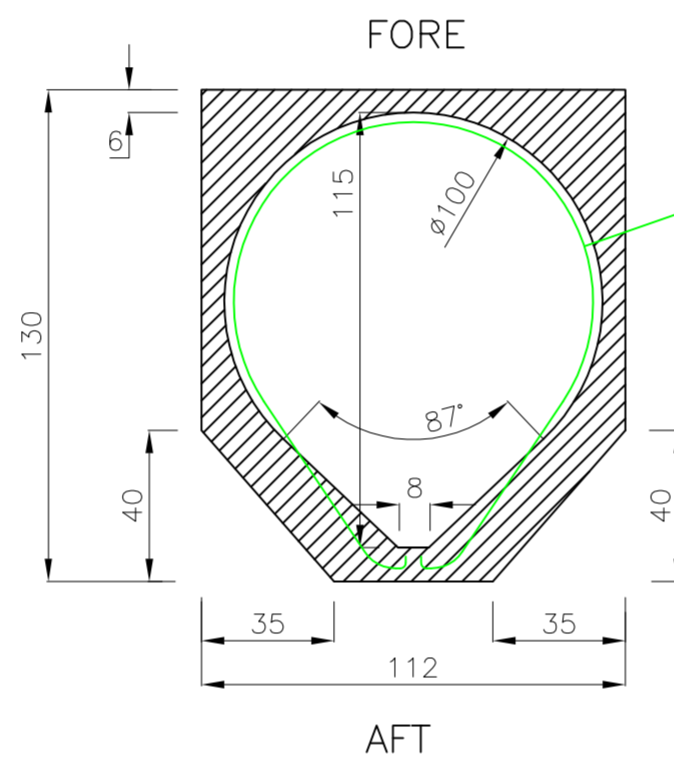


SECTION AT M.B. no. III  
 OUTSIDE MASTPROFILE HAS TO FIT IN THE HATCHED AREA



M.B. no. III:

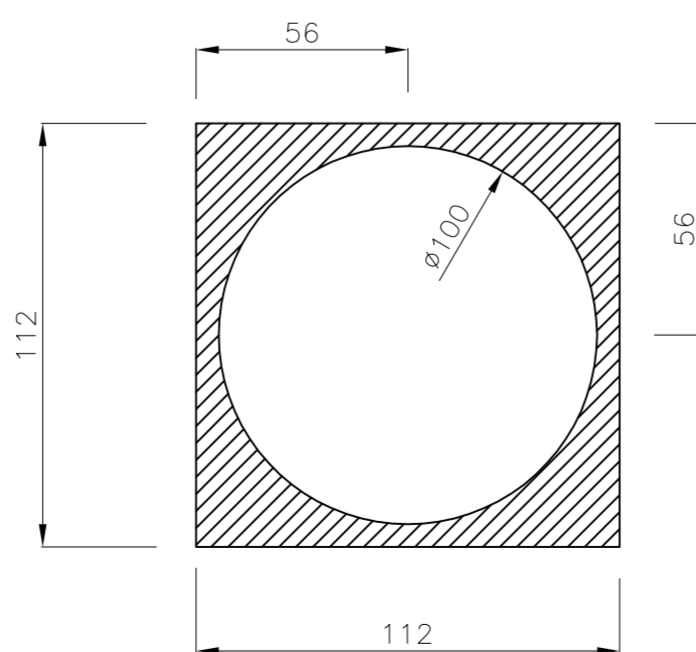
SECTION FROM M.B. no. II TO 600 MM. ABOVE M.B. no. 1  
 OUTSIDE MASTPROFILE HAS TO FIT IN THE HATCHED AREA



M.B. no. II:

TYPICAL WOODEN MAST PROFILE AT M.B. no. II

SECTION FROM 600 MM. ABOVE M.B. no. I TO MASTSTEP  
 OUTSIDE MASTPROFILE HAS TO FIT IN THE HATCHED AREA



M.B. no. I:

ALUMINIUM ALLOY MAST  
 PROPOSAL NOV. 06

